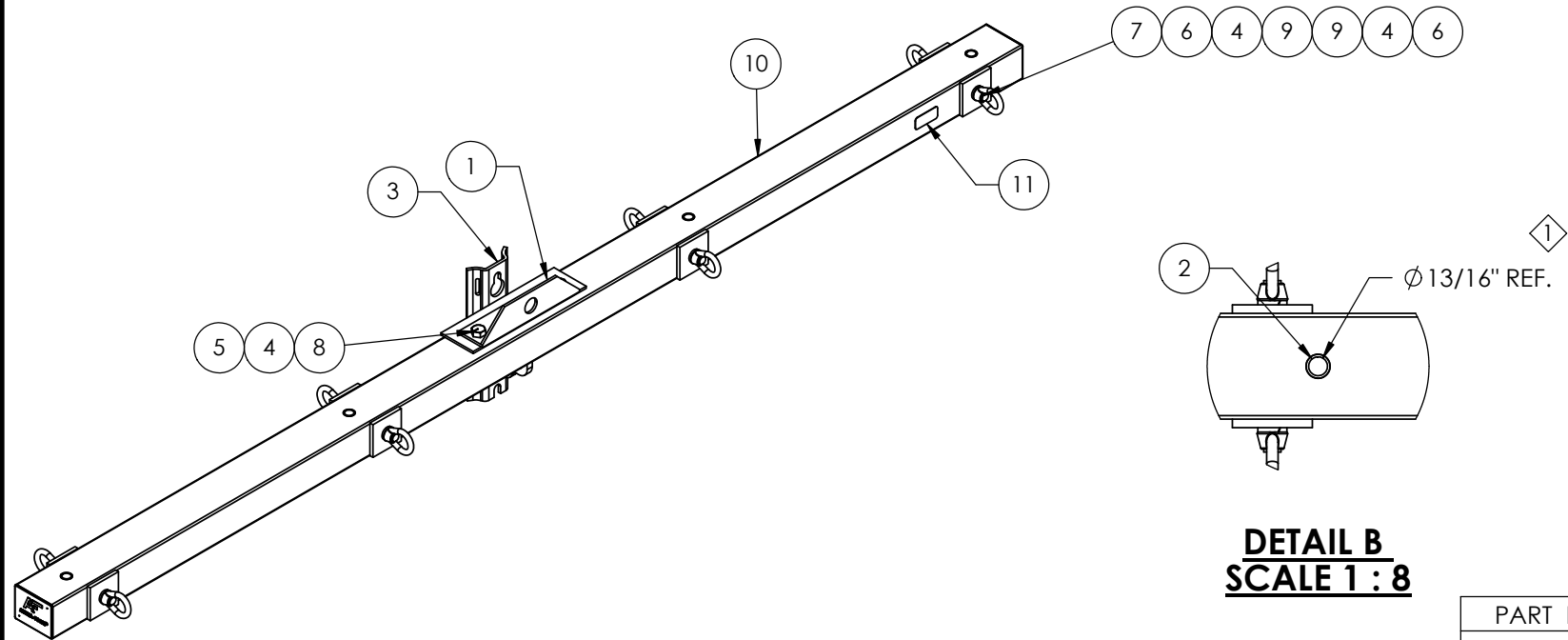


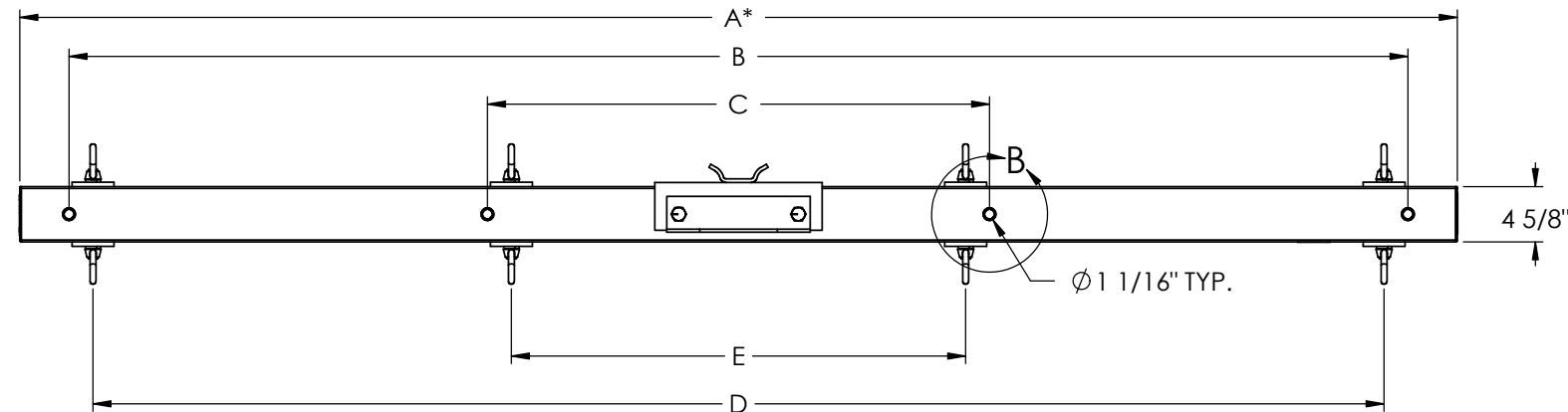
DUPLICATION, DISTRIBUTION OR ALTERATION OF THIS DOCUMENT BY ANY MEANS, IN WHOLE OR IN PART, IS STRICTLY FORBIDDEN. ALL INFORMATION HEREIN DISCLOSED, WHETHER PATENTABLE OR OTHERWISE, IS THE CONFIDENTIAL, PROPRIETARY AND INTELLECTUAL PROPERTY OF ALUMA-FORM, INC. ANY USE OR PUBLICATION OF THIS DOCUMENT OR CONTAINED INFORMATION, WITHOUT FIRST OBTAINING EXPLICIT WRITTEN AUTHORIZATION FROM ALUMA-FORM, INC., IS ABSOLUTELY FORBIDDEN.



**DETAIL B**  
**SCALE 1 : 8**

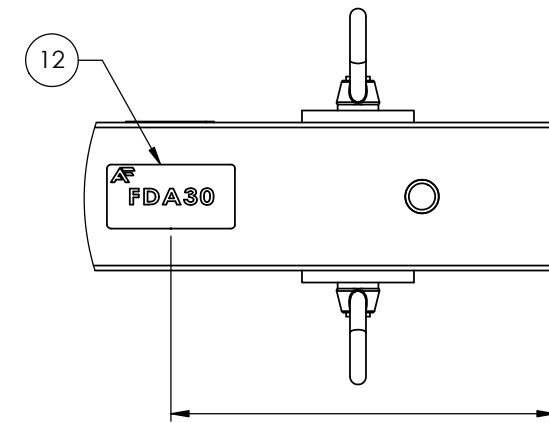
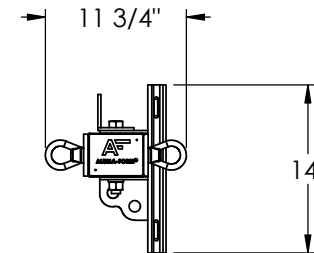
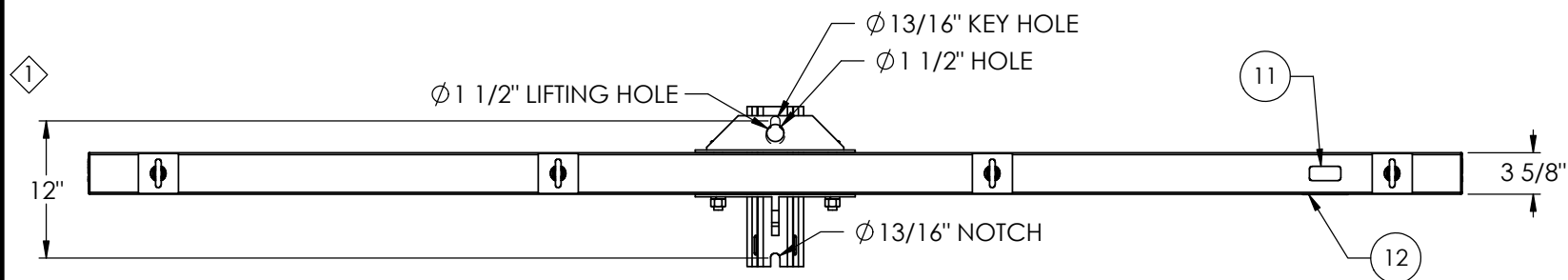
ITEM NO.	PART NUMBER	DESCRIPTION	55582-96-EB	55582-120-EB
1	03505	ANGLE 3 x 3 x 1/4 x 12" LG	1	1
2	11110-1	3/4" I.D. ROUND TUBE INSERT, 3-5/8" LG.	4	4
3	21250	FDA-FG POLE GAIN	1	1
4	30007	3/4" REGULAR HELICAL LOCKWASHER	10	10
5	30018	NUT, HEX, 3/4" (.020 OS)	2	2
6	30255	3/4" EYE NUT	8	8
7	30362	STUD BOLT, 3/4" X 7 1/2" DOUBLE ARMING (1 1/2" MIN. THREAD)	4	4
8	30363	BOLT, HEX, 3/4" X 5 1/2" (1 3/4" MIN. THREAD)	2	2
9	30364	3/4" SQ. WASHER, 3 1/2"x 3 1/2" x 3/8"	8	8
10	44172-96	DRILLED TUBE, FDA30-4-96-IP-FG	1	-
	44172-120	DRILLED TUBE, FDA30-4-120-IP-FG	-	1
11	67554	ID LABEL	1	1
12	67756	LABEL, COLOR,FDA30-SERIES (BLACK)	1	1

PART NUMBER	DESCRIPTION	DIM A (in)	DIM B (in)	DIM C (in)	DIM D (in)	DIM E (in)	**WGT. #
55582-96-EB-GGO	FDA30-4-96-EB-IP-FG-GGO	96"	88"	34"	84"	30"	71.33
55533-120-EB-GGO	FDA30-4-120-EB-IP-FG-GGO	120"	112"	42"	108"	38"	80.26



**\* NOTE: DIMENSION "A" IS THE REFERENCE TUBE LENGTH PRIOR TO END CAP INSTALLATION**

**\*\* NOTE: FOAM FILL NOT INCLUDED IN TOTAL WEIGHT**



LABEL TO BE PLACED ON BOTTOM FACE OF TUBE APPROX. 12" FROM END OF TUBE

UNLESS OTHERWISE SPECIFIED, STANDARD ALUMA-FORM, INC. MANUFACTURING TOLERANCES APPLY

CHANGE / REVISION DESCRIPTION	1 ADDED DIMENSION	REVISION LEVEL <b>A</b>	DRAWING NUMBER <b>55582</b>	<b>ALUMA-FORM, Inc.</b>		SCALE	1:12	DESCRIPTION	<b>FDA30-4-__-EB-IP-FG-GGO</b>		
				3625 OLD GETWELL ROAD MEMPHIS, TN 38118-6072 U.S.A.		PROJECT CODE	GGO	MATERIAL			
				WAR	4593	10-JUL-12	WAR	4713	01-MAR-13		
				DRAWN BY	RELEASE E.A.	RELEASE DATE	REVISED BY	REVISED E.A.	REVISED DATE	REVIEWED	APPROVED
										<b>55582</b>	<b>A</b>
										DRAWING NUMBER	REVISION